

**Food Processor
 Stainless Steel Cutter Mixer - 11.5 LT -
 Variable Speed with Microtoothed
 Blade, Bowl and Scraper**

ITEM # _____

MODEL # _____

NAME # _____

SIS # _____

AIA # _____



600088 (KE120S)

* NOT TRANSLATED *

Main Features

- Productivity suitable for 100-200 meals per service.
- Food processor allows fast liquidizing, mixing, mincing, chopping and pastry-making.
- Delivered with:-11.5 liter stainless steel bowl with max liquid level indication to avoid spillage-micro toothed perforated blade-scraper
- Angled perforated knives and conical base of the bowl ensure consistent mixing.
- Lid with central opening to add ingredients in mid-cycle.
- Base fixed cover for a better handling.
- Cover metal frame to ensure seal water tightness to avoid leakage.
- All parts in contact with food are removable without tools and completely dismountable.

Construction

- Scraper with SS handle, easy to dismount.
- Variable speed from 300 to 3500 rpm.
- Power: 2200 watts.
- IP65 touch button control panel.
- Cover handle with double safety locking system.
- Transparent BPA free cover incorporates a magnetic safety system which stops the machine if lid is not properly closed.
- A safety device requires to press the start button to restart the machine after a power cut.
- Asynchronous silent industrial motor for heavy duty and longer life.
- 304 AISI stainless steel bowl with leak resistant spout and handles, easy to manage.

Included Accessories

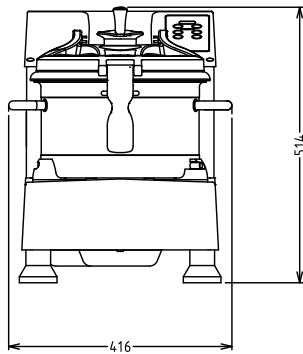
- 1 of - NOT TRANSLATED - PNC 650059
- 1 of - NOT TRANSLATED - PNC 650060
- 1 of - NOT TRANSLATED - PNC 650073

Optional Accessories

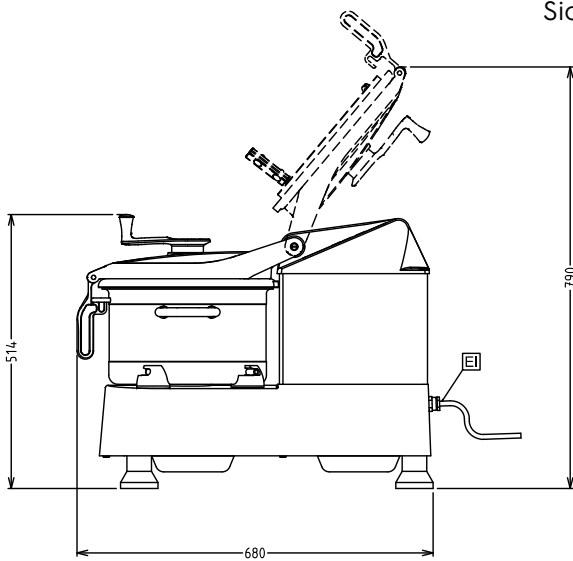
- - NOT TRANSLATED - PNC 650059
- - NOT TRANSLATED - PNC 650060
- - NOT TRANSLATED - PNC 650073
- Stainless steel mobile stand. Height: 730 mm PNC 653017
- Serrated blade rotor for 11,5 lt cutter mixer PNC 653299
- Serrated blade rotor for meat for 11,5 lt cutter mixer PNC 653538

APPROVAL: _____

Front

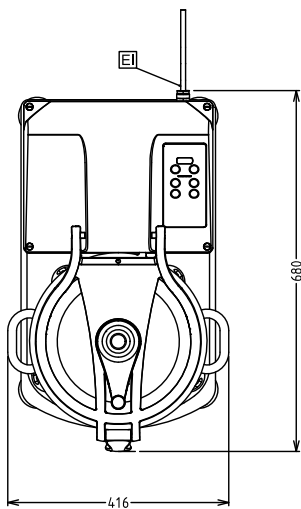


Side



EI = Electrical inlet (power)

Top


Electric
Supply voltage:

600088 (KE120S) 200-240 V/1N ph/50/60 Hz

Electrical power max.:

2.2 kW

Total Watts:

2.2 kW

Capacity:
Performance (up to):

6 kg/Cycle

Capacity:

11.5 litres

Key Information:
External dimensions, Width: 416 mm

External dimensions, Depth: 680 mm

External dimensions, Height: 517 mm

Shipping weight: 73 kg